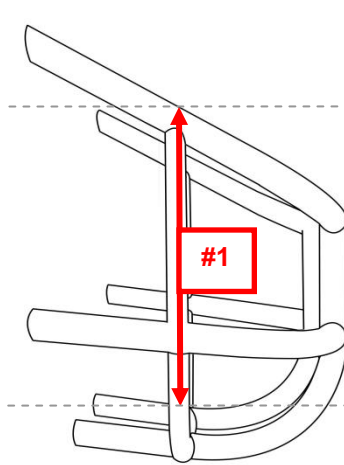
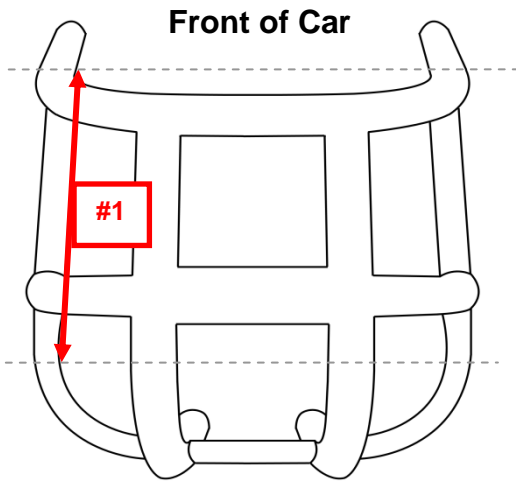


How to measure for your new ISP-1024 "Split Clamp On" Lateral Drag Head Supports

Measurement #1

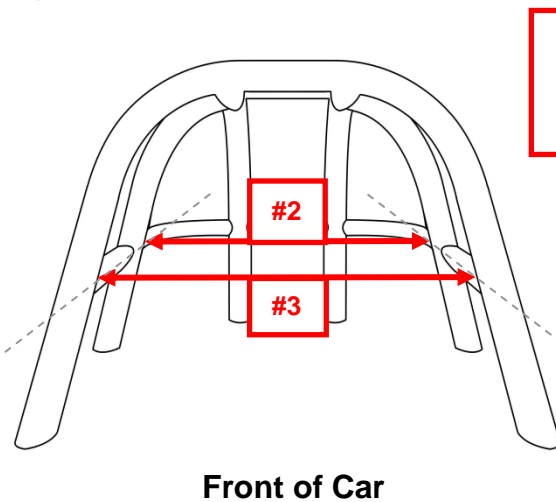
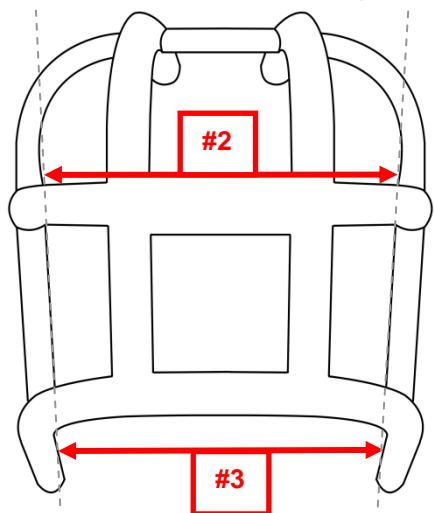
At center of drivers ear when seated in car (approximately same height as helmet bar) measure in a straight line from front roll bar hoop to the point where the helmet bar begins to curve behind the drivers head. (This measurement allows us to determine overall support length)



Enter Measurement #1 here

Measurements #2 and #3

At same height as measurement #1 (approximately same height as helmet bar). Measure interior distance left to right between **REAR** roll bar hoop this will provide measurement #2. Measure interior distance left to right between **FRONT** roll bar hoop this will provide measurement #3.

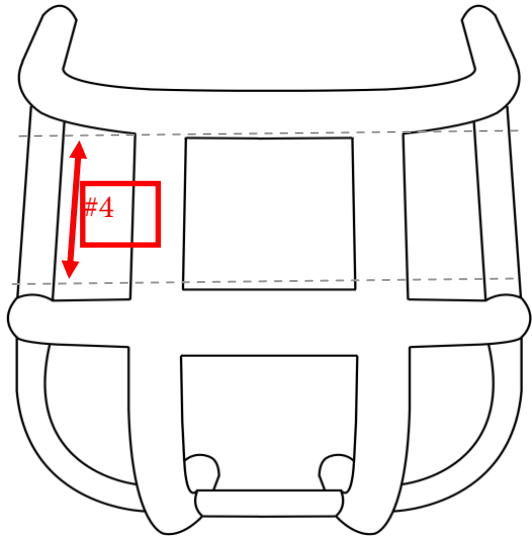


Enter Measurement #2 here

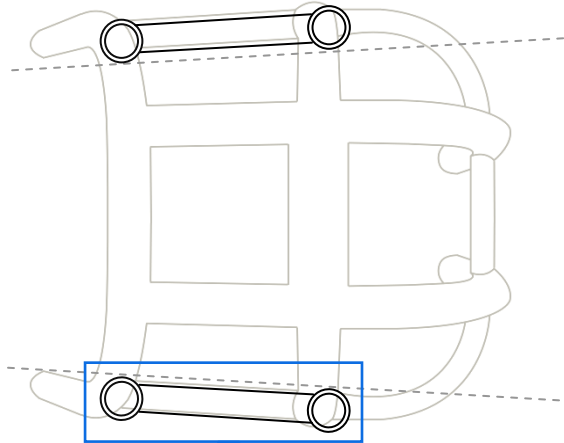
Enter Measurement #3 here

Measurement # 4 and #5

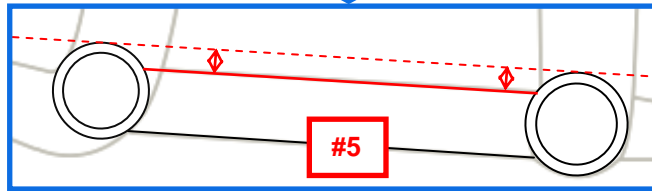
Helmet bar length. (These measurements will allow us to determine proper split clamp spacing front to back and if helmet bar is inset and if so how much)



Enter Measurement #4 here



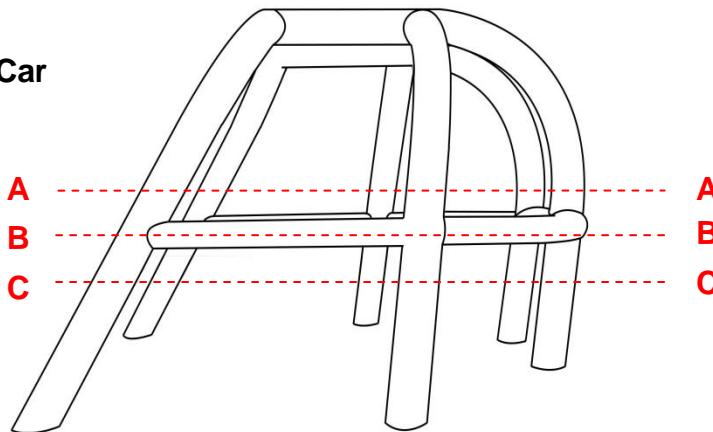
Enter Measurement #5 here



Measurement #6

With driver seated in car determine what line below best represents center of ear in relation to the helmet bar.
A = Above, B = Center and C = Below (This will allow us to determine the proper height to provide the best protection)

Front of Car



Enter Measurement #6 here



4502 Raceway Dr. SW
Concord, NC 28027
Phone: 704-795-0403
Fax: 704-795-0216
kris@ispseats.com
ispseats.com

To begin the order process:

Fax all three pages of this completed form to **704-795-0216** or Email pages to kris@ispseats.com

If possible please follow up with an email to kris@ispseats.com and include images of the driver and or any specific concerns.

Print Name: _____ Daytime Ph. Number: _____

Helmet Bar Tubing Diameter (*Circle one*):

3/4 Inch or 1 Inch

Measurements from above:

#1 (_____)

#2 (_____) #3 (_____)

#4 (_____) #5 (_____)

#6 (_____)

Chassis Type: _____